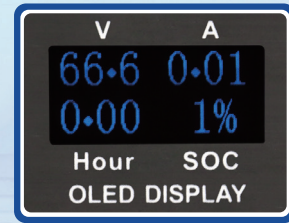


# 11 134.4V7A

1000W Intelligent charger



MODEL:XT120

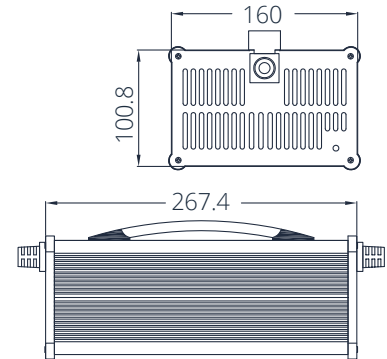


UL62368-1, TUV EN62368-1, EN55032 /EN55035 FCC PART 15B, J62368-1(2020), J55032(H29); J3000(H25).

## FEATURE

- ▶ Charger for Li-Ion batteries(lithium iron, lithium manganese and Li-NiCoMn) and lead-acid batteries(flooded, Gel and AGM)
- ▶ **AC input range:** 90VAC~264VAC 45~65HZ
- ▶ **Efficiency:** ≥90%      ▶ **Weight:** 3.0kg      ▶ Aluminum shell case
- ▶ **Protections:** Short circuit/Over voltage/Over power/Over temperature /reverse polarity/No spark
- ▶ **Operating temperature:** -20~40°C(-4°F~104°F)
- ▶ MCU embedded intelligent control      ▶ Cooling by fan
- ▶ Built-In Active PFC, PF>0.9@220VAC      ▶ Optional with OLED display

## SIZE



Model	Output Voltage(V)	Output Current(A)	Max.outputpower(W)
XT120VxxxAyyy	3.3-16.8	0.1-40	672
	16.9-29.4	0.1-30	882
	29.5-42	0.1-25	1050
	42.1-44.1	0.1-23	1014.3
	44.2-54.6	0.1-20	1092
	54.7-58.8	0.1-18	1058.4
	58.9-73.5	0.1-15	1102.5
	73.6-84	0.1-13	1092
	84.1-88.2	0.1-12	1058.4
	88.3-110	0.1-10	1100
	110.1-134.4	0.1-8	1075.2
134.5-168	0.1-6	1008	